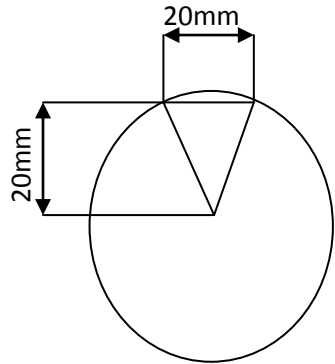
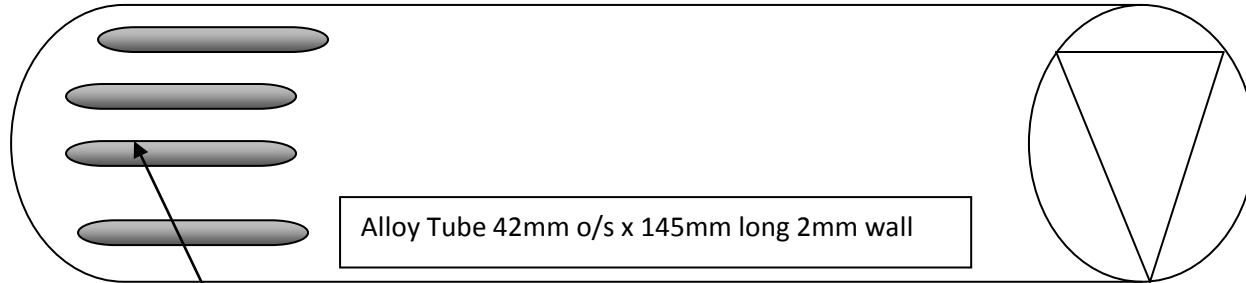


KALEIDOSCOPE LENS TO FIT ALDIS/HANIMEX/OPTIKINETICS PROJECTORS

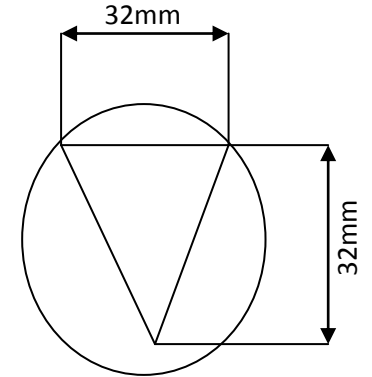
ALL DIMENSIONS IN mm



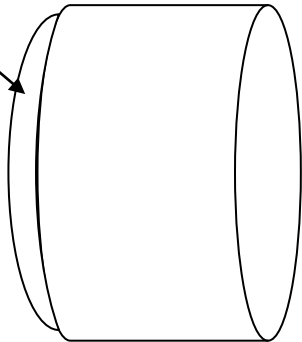
Each end of the tube has a metal disc glued inside with a "V" shape cut to hold & glue the mirrors in place



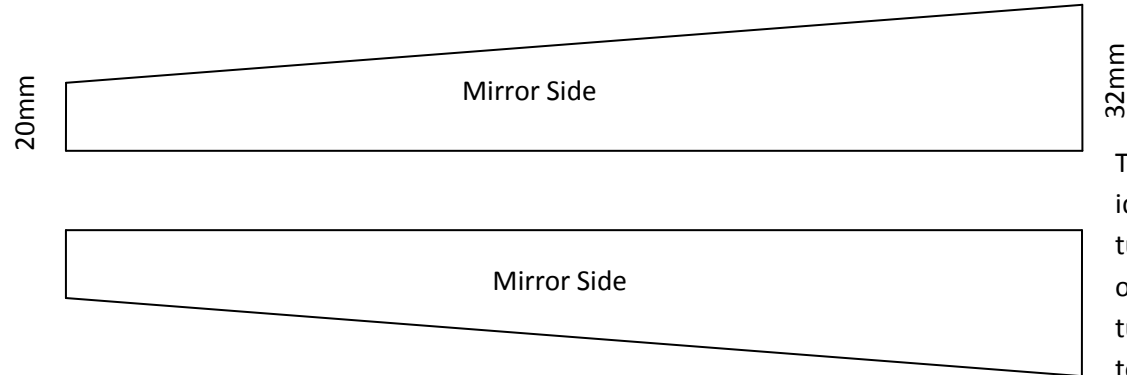
Felt Strips glued to outside of tube to hold lens tube and allow adjustment to focus



Lens glued into end of tube



Alloy Tube 51mm o/s x 60mm long 3mm wall



Two 'First Surface' mirrors cut identical as shown and glued into tube and ends. The joint is taped on the back before inserting into tube. Note: join the straight sides together.

